

Enyo

Modular Audiophile System

by Thrax Audio

Operating Manual

Manual issued 27/01/2022

CAUTION

THE UNIT CONTAINS NO USER SERVICEABLE PARTS. DO NOT REMOVE THE COVERS. LETHAL VOLTAGES ARE PRESENT WITHIN THE CHASSIS.

NEVER OPERATE YOUR ENYO WITH THE CHASSIS COVERS REMOVED.
DO NOT OPERATE THE UNIT IF WET OR NEAR WATER.

THE UNIT IS FAIRLY HEAVY. BE SURE TO USE PROPER LIFTING TECHNIQUES TO AVOID BACK STRAIN AND INJURY. BE CERTAIN TO INSTALL IT IN A SECURE LOCATION FROM WHICH IT CAN NOT FALL OR TIP OVER.

TIME SPENT FAMILIARIZING YOURSELF WITH THIS MANUAL WILL BE WELL REWARDED.

CONTENTS

- 1. Important Safety Instructions 3
- 2. Specifications 4
- 3. Introduction 4
- 4. Unpacking and Installation
 - Unpacking 5
 - Installation 5
- 5. Front Panel 6
- 6. Back Panel
 - Inputs 7
 - AC Fuse 7
- 7. Operation 8

IMPORTANT SAFETY INSTRUCTIONS

READ ALL INSTRUCTIONS: All the safety and operating instructions of your Thrax Audio equipment should be read before power is applied to the equipment.

RETAIN OWNER'S MANUAL: These safety and operating instructions should be retained for future reference.

HEED WARNING: All warnings on the unit and in the operating instructions should be adhered to.

FOLLOW INSTRUCTIONS: All operating and use instructions should be followed.

CLEANING: Unplug the unit from the wall outlet and leave for at least 30 min. - make sure the unit is not hot before you start cleaning. Use dry or damp soft cloth to clean the surfaces. Do not use corrosive, abrasive or spray for cleaning.

VENTILATION: Do not block any ventilation openings. Do not install near any heat sources such as radiators, heat registers, stoves, or other apparatus (including amplifiers). The unit should not be installed in a built-in location such as a bookcase or rack unless proper ventilation is provided.

GROUNDING: Do not defeat the safety purpose of the grounding-type plug. A grounding-type plug has two blades and a third grounding prong. The third prong is provided for your safety. If the provided plug does not fit into your outlet, consult an electrician for replacement of the obsolete outlet.

POWER CORD PROTECTION: Protect the power cord from being walked on or pinched particularly at plugs, convenience receptacles and the point where they exit from the apparatus.

LIGHTNING: Unplug this apparatus during lightning storms or when unused for long periods of time.

SERVICING: Refer all servicing to qualified service personnel. Servicing is required when the apparatus has been damaged in any way, such as if the power-supply cord or plug is damaged, liquid has been spilled inside the appliance or it has been exposed to moisture, the appliance does not operate normally, or has been dropped.

DO NOT OPEN THE CABINET: There are no user serviceable components inside this product. Opening the cabinet may present a shock hazard, and any modification to the product will void your warranty.

WARNING: To reduce the risk of fire or electric shock, do not expose this apparatus to rain or moisture.

SPECIFICATIONS

- Power supply: 115 or 230 V
- Power output: 4 Ω / 8 Ω - 50W
- Gain: 32 db (balanced & unbalanced)
- THD (Total Harmonic Distortion): < 1% @ 50W
- Power consumption: 30W
- Finish : Silver anodized aluminium
- Dimensions: 440W x 480D x 190H mm
- Weight: 29 kg

INTRODUCTION

ENYO is a complete audiophile system bringing you a unique set of features & components in a single box, all designed to work perfectly together for the cleanest sound - in its most basic configuration ENYO can be used as a power amplifier in an existing system, and optionally as a phono preamp (MM & MC), a sophisticated DAC with DSP functions, or a versatile Network Player.

Features

- 2x true tube mono Class A power amplifiers (4 Ω / 8 Ω - 50W)
- Phono preamp (optional) - supports both MM & MC cartridges
- Network Player (optional) accommodating all modern digital interfaces (AES, Spdif, Toslink, USB, Network and Bluetooth)
- R2R multibit DAC (optional)
 - Upsampler - increases the sampling rate of the signal to 32-bit / 352 kHz or 32-bit / 384 kHz
 - Clock / Jitter control - synchronizes incoming data with an internal clock reference generator removing jitter
- Remote control

UNPACKING AND INSTALLATION

This section describes the unpacking and installation procedures for your new component.

Unpacking

All Thrax Audio shipping boxes have been specially designed to protect their contents and special care has been taken to prevent damage under normal shipping conditions. Mishandling should be evident upon inspection of the shipping container. Carefully remove your new component from its packaging and examine it closely for signs of shipping damage. We strongly recommend saving all original packaging to protect your component from damage should you wish to store it or ship it at a later date.

Installation

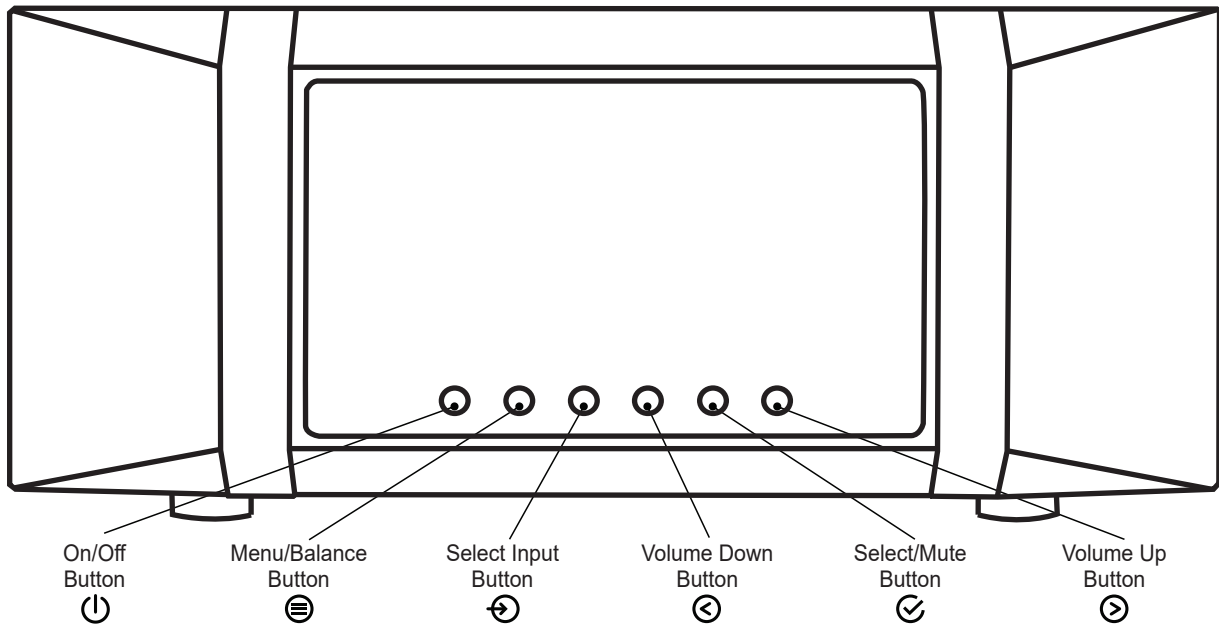
- BE CERTAIN TO INSTALL THE UNIT IN A SECURE LOCATION FROM WHICH IT CANNOT FALL OR TIP OVER.
- Provide adequate ventilation - the chassis will become warm in normal use. Do not operate on carpet or any other surface that might block air flow.
- Do not allow the chassis to touch any metal parts, such as the frame of an equipment rack. This might create a parallel ground path that could degrade the sound of your system.
- Connect your source's cables to their appropriate inputs.
- Connect your speakers using the binding posts on either side of the back panel.

IMPORTANT: READ THE SECTIONS "BACK PANEL".

WARNING: The unit should be operated only at the rated voltage indicated on the power connector. If you are not sure what the mains voltage supplied to your home is, consult with your unit dealer.

- Connect the power supply to the power source indicated on the rear panel. Avoid power conditioners that float the ground pin. ALWAYS connect power cord to component before plugging it into an AC outlet, and make sure that unit's main switch is set to the „off" position before making the final connection. For best performance, try to route the power cord away from signal cables.
- Pay close attention to power quality, and be aware that different power cords can alter the sound.
- For initial power up press the main switch located on the back panel.

FRONT PANEL



ON/OFF Button

Switches the unit on and off.

Menu Button

Switch between the three Menu pages :

1. Balance control
2. Phase inverting / Remote control setup / Display brightness / Phono stage source select - MC or MM
3. Digital filter - SD Slow / SD Sharp / Slow / Sharp / Bypass

Input Button

Toggle between input sources (RCA 1-3/PHONO*, XLR, USB**, COAX, OPT, AES, LAN**, Bluetooth), or switch back to the home screen if one of the menu pages is open.

*- PHONO replaces RCA 1 with the phono stage option

**- included only with the Streaming option

Volume down Button

Turn the volume control down by one step / menu navigation.

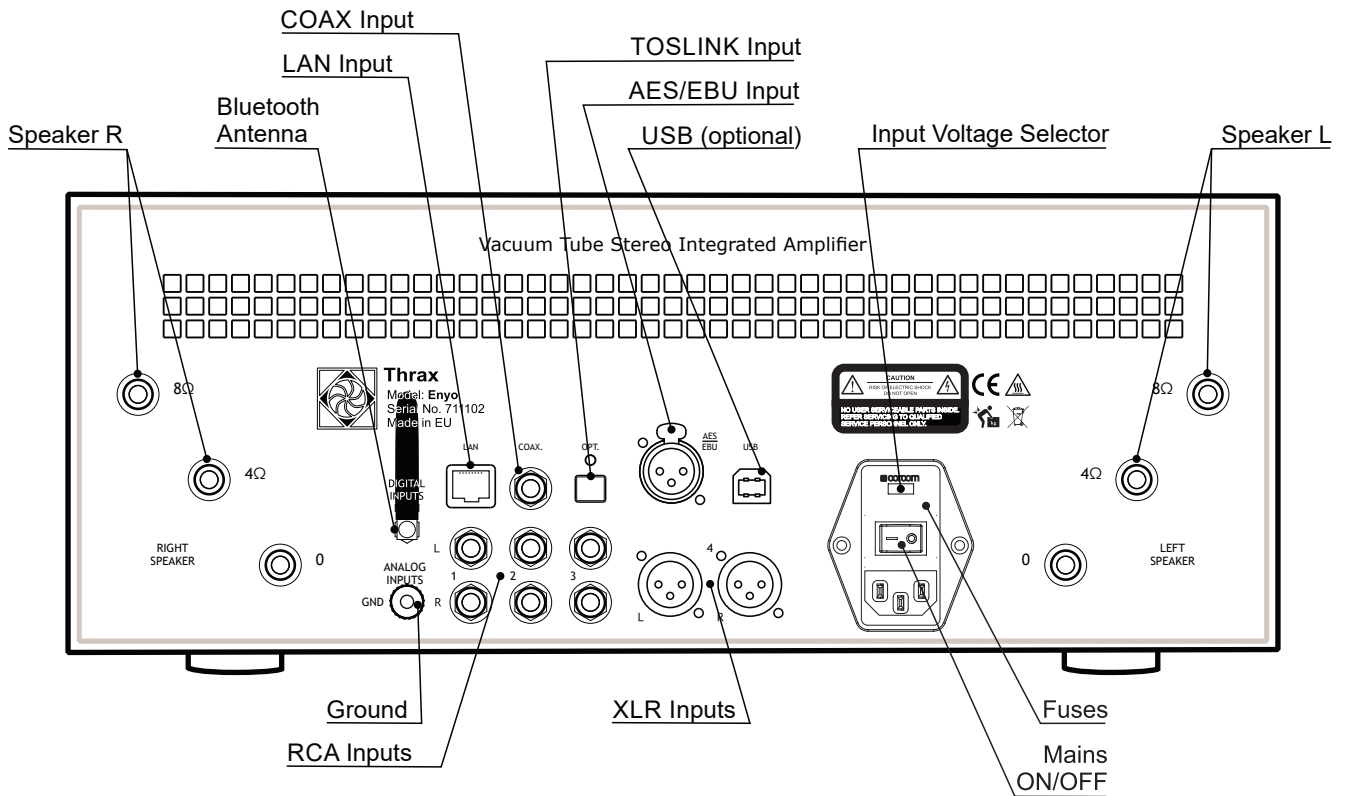
Select Button

Apply input selection / select highlighted menu item.

Volume up

Turn the volume control up by one step / menu navigation.

BACK PANEL



Inputs

- 6 digital inputs
 - 1x Network (LAN)
 - 1x COAX (RCA)
 - 1x Toslink
 - 1x AES (XLR)
 - 1x USB
- Bluetooth
- 4 pairs of analog inputs
 - 3x RCA (unbalanced)
 - 1x XLR (balanced)

AC Fuse

• IEC Power Connector, Main Switch, Fuses and Input Voltage Selector - There are fuses located in the IEC power connector on the back panel. For 230 volts operation a 10 amperes "Slow Blow" fuse is used. For 115 volts operation the fuse should be 6.3 amperes. If power does not come on, contact your authorized service representative.

Outputs

- Binding posts

OPERATION

- Press the “ON/OFF” (⏻) button to power up the device
- Use the “Input” (↻) button to toggle between input sources and set the one you will be using with the Select (⊙) button.
- In the Menu (⊖) you will find three pages
 1. Balance control
 2. Phase/Remote control setup/Display brightness/Phono stage source select - MC or MM
 3. Digital filter - SD Slow / SD Sharp / Slow / Sharp / Bypass, Dither and De-emphasis
- To shift the Left/Right balance, press Menu (⊖) once and use the navigation buttons (⏪, ⏩) to adjust.
- Turntables - if you're playing from a turntable, select the appropriate setting for your tonearm's cartridge type (MM - moving magnet or MC - moving coil) in the second page of the menu (press Menu (⊖) twice to access)
- If you're listening from a digital source, you may select one of the digital filter options (Slow, Sharp, SD Slow, SD Sharp, Bypass) on the third page of the menu (press Menu (⊖) three times to access). Each option provides a distinct, glorious listening experience. You may favor one or the other, or enjoy changing the filter response to suit the music you listen to. Allow the system 20-30 seconds to implement the new filter after selecting it.
- Remote control - Ares uses a standard Apple Remote. It is configured as shown on the diagram below, and you can reassign each button's function through the device's menu - press Menu () twice, select Remote Control Setup and follow the instructions on screen. The device will restart and apply the new settings.

ROON READY

Being Roon Ready means that Thrax Audio uses Roon streaming technology, for an incredible user interface, simple setup, rock-solid daily reliability, and the highest levels of audio performance, without compromise.

