

# Trajan

## MC Step-Up Transformer

by Thrax Audio

### Operating Manual

Manual issued 05/05/2020

#### **CAUTION**

THE UNIT CONTAINS NO USER SERVICEABLE PARTS. DO NOT REMOVE THE COVERS. LETHAL VOLTAGES ARE PRESENT WITHIN THE CHASSIS.

DO NOT OPERATE THE UNIT IF WET OR NEAR WATER.

TIME SPENT FAMILIARIZING YOURSELF WITH THIS MANUAL WILL BE WELL REWARDED.

# CONTENTS

- 1. Important Safety Instructions ..... 3
- 2. Introduction ..... 4
- 3. Specifications ..... 4
- 4. Installation & set up
  - Installation ..... 5
  - Set up ..... 5
- 5. Impedance matching ..... 6

## IMPORTANT SAFETY INSTRUCTIONS

**READ ALL INSTRUCTIONS:** All the safety and operating instructions of your Thrax Audio equipment should be read before power is applied to the equipment.

**RETAIN OWNER'S MANUAL:** These safety and operating instructions should be retained for future reference.

**HEED WARNING:** All warnings on the unit and in the operating instructions should be adhered to.

**FOLLOW INSTRUCTIONS:** All operating and use instructions should be followed.

**CLEANING:** Unplug the unit from the wall outlet and leave for at least 30 min. - make sure the unit is not hot before you start cleaning. Use dry or damp soft cloth to clean the surfaces. Do not use sprays, abrasive or corrosive cleaning products.

**GROUNDING:** Do not defeat the safety purpose of the grounding-type plug. A grounding-type plug has two blades and a third grounding prong. The third prong is provided for your safety. If the provided plug does not fit into your outlet, consult an electrician for replacement of the obsolete outlet.

**POWER CORD PROTECTION:** Protect the power cord from being walked on or pinched particularly at plugs, convenience receptacles and the point where they exit from the apparatus.

**LIGHTNING:** Unplug this apparatus during lightning storms or when unused for long periods of time.

**SERVICING:** Refer all servicing to qualified service personnel. Servicing is required when the apparatus has been damaged in any way, such as if the power-supply cord or plug is damaged, liquid has been spilled inside the appliance or it has been exposed to moisture, the appliance does not operate normally, or has been dropped.

**DO NOT OPEN THE CABINET:** There are no user serviceable components inside this product. Opening the cabinet may present a shock hazard, and any modification to the product will void your warranty.

**WARNING:** To reduce the risk of fire or electric shock, do not expose this apparatus to rain or moisture.

## INTRODUCTION

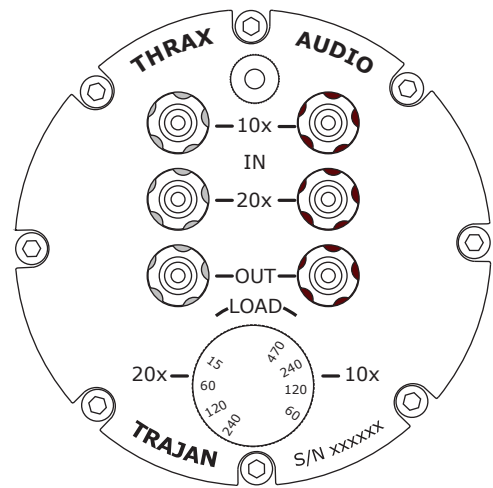
Trajan is an ultra high tech and versatile step-up transformer made to adapt a wide range of MC cartridges to MM-phono stages. Offering 1:10 and 2:20 step-up ratios and multiple impedance settings for the perfect match.

## Features

Two independent inputs - 10x, 20x step-up ratios  
Loading settings - 15Ω/30Ω/60Ω/120Ω /240Ω/470Ω

## Inside you get

System: Two independent inputs per transformer  
Core Type: Toroidal 20u  
Core Material: Nano-crystal soft magnetic material  
Coil: LITZ wire primary  
Shielding: MuMetal



## SPECIFICATIONS

- Inputs ..... 2x RCA
- Outputs ..... 1x RCA
- Gain ..... 20/26dB
- Input Impedance..... 15Ω/30Ω/60Ω/120Ω /240Ω/470Ω
- Load Impedance ..... >47KΩ
- Dimensions ..... 65mm(H)x125mm(D)
- Weight ..... 2kg
- Finish ..... Black or Silver anodized aluminum

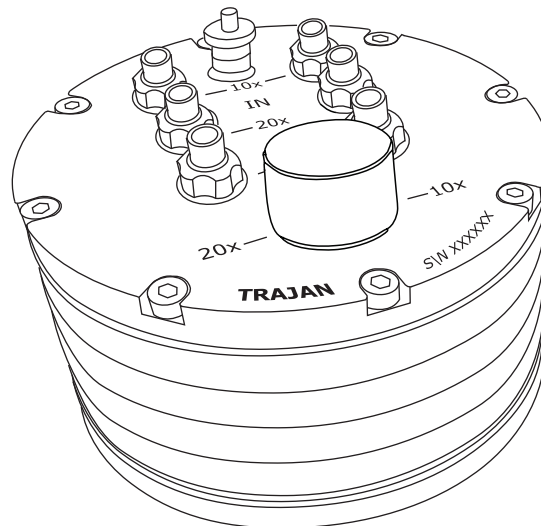
## UNPACKING AND INSTALLATION

### Unpacking

All Thrax Audio shipping boxes have been specially designed to protect their contents and special care has been taken to prevent damage under normal shipping conditions. Mishandling should be evident upon inspection of the shipping container. Carefully remove your new component from its packing and examine it closely for signs of shipping damage. We strongly recommend saving all original packing to protect your component from damage should you wish to store it or ship it at a later date.

### Installation

Find a suitable location for Trajan between your turntable and MM phono stage. The transformers have MuMetal shielding and are isolated from RFI and other disturbances.



Connect your turntable output cables to the appropriate input on the Trajan - 1:10 for cartridges with an output above 0.35mV, and 1:20 for cartridges that put out less than 0.3mV. Connect your phono stage input to the Step-Up Transformer's output. If your tonearm has an earth lead, connect it to the grounding post on Trajan's top panel.

Turn on your system and find the loading setting that sounds the best to your ears, or refer to your tonearm manufacturer's recommendations. We recommend muting your system when changing the load setting to avoid pops.

